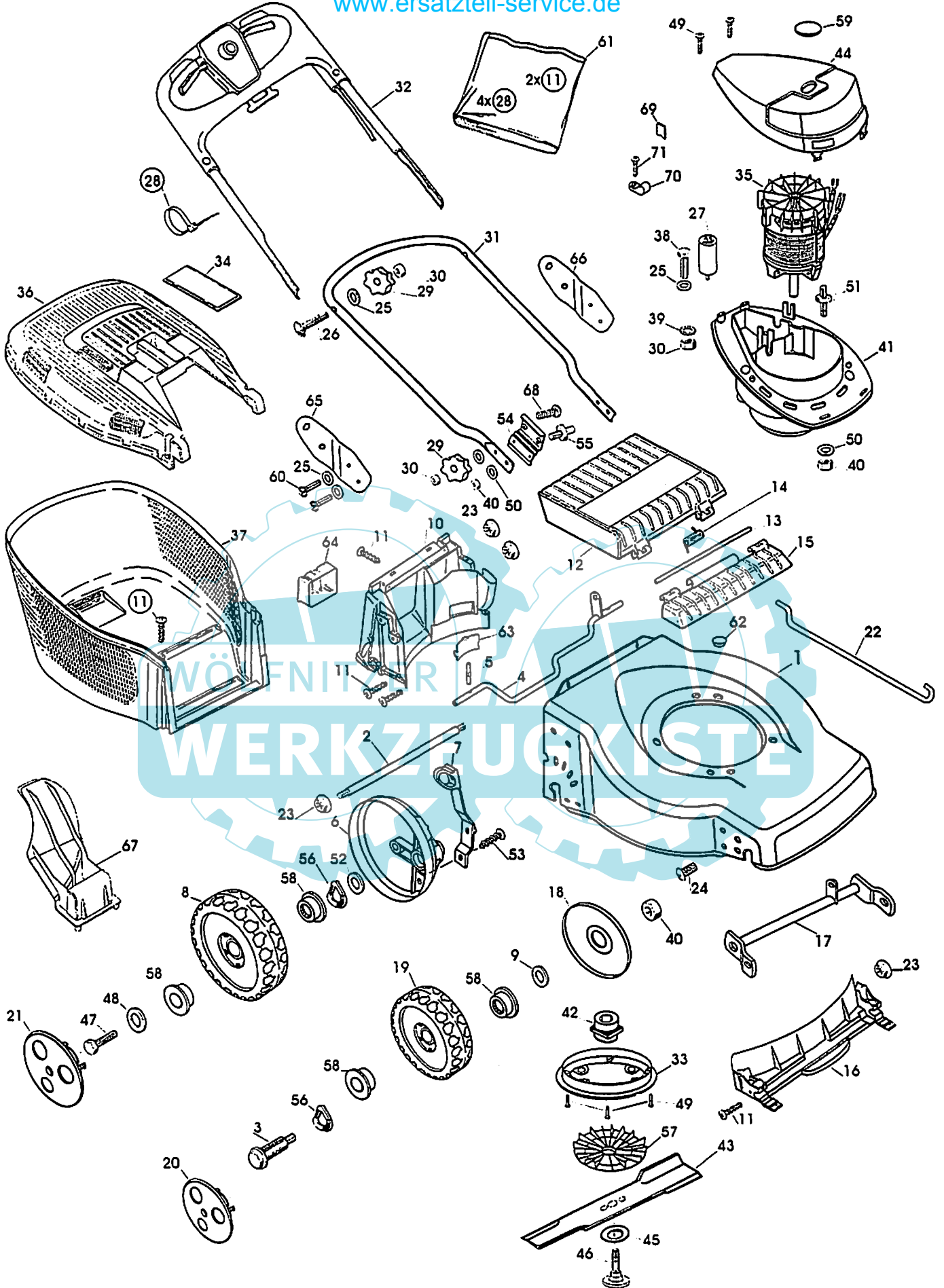


B023A

Ausgabe Issue		Bild Nr. Picture No		VARIOLUX 45 EC	VARIOLUX 45 EC	Seite Page		
2000-1		B023A				18		
Pos. Fig.	Anzahl/Quantity			Artikel Nr. Part No	Bezeichnung	Description	Satz Kit	Anmerkung Notes
	1			1117-1144-02	Chassie-rot .....	Deck-red .....		
	2			1117-1159-01	Verstärkungsstrebe .....	Reinforcement .....		
	3	2		1111-3164-01	Radbolzen .....	Wheel axle bolt .....		
	4	1		1117-1173-01	Hinterachse .....	Shaft-backside .....		
	5	2		9595-0212-00	Spannstift .....	Locating pin .....		
	6	2		1117-1304-01	Raddeckel .....	Wheel protection cap .....		
	7	1		1117-1174-01	Höheneinstellhebe .....	Height adjust lever .....		
	8	2		1111-3238-01	Rad .....	Wheel .....		
	9	2		9699-0078-02	Scheibe .....	Washer .....		
	10	1		1117-3008-01	Leitschiene-hintere .....	Baffle-rear .....		
	11	12		9836-9516-12	Schraube .....	Screw .....		
	12	1		1117-1156-02	Klappe-schwarz .....	Rear flap-black .....		
	13	1		1117-1143-01	Achse .....	Shaft .....		
	14	1		1117-1126-01	Feder .....	Spring-rear flap .....		
	15	1		1117-1155-02	Klappehalterung-schw. ....	Flap holder-black .....		
	16	1		1117-3007-01	Leitschiene-vordere .....	Baffle-front .....		
	17	1		1117-1334-01	Vorderachse .....	Front shaft .....		
	18	2		1117-1161-01	Radschutz .....	Wheel protection .....		
	19	2		1111-3163-01	Rad .....	Wheel .....		
	20	2		1111-2804-06	Nabenkapsel-grau .....	Hub cap-grey .....		
	21	2		1111-2815-06	Nabenkapsel-grau .....	Hub cap-grey .....		
	22	1		1117-1130-01	Höheneinstellstange .....	Connection rod .....		
	23	8		1117-1131-01	Mutter .....	Nut .....		
	24	2		9865-0816-16	Schraube .....	Screw .....		
	25	9		9699-0028-02	Scheibe .....	Flat washer .....		
	26	2		9898-0845-12	Schraube .....	Screw .....		
	27	1		9400-0224-00	Kondensator .....	Capacitor .....		
	28	4		9579-0008-00	Kabelhalter .....	Cable holder .....		
X	29	4		1117-3194-01	Verriegelungsrad .....	Locking knob .....		
	30	7		9799-0831-02	Mutter .....	Nut .....		
X	31	1		1117-3198-01	Führungsholm-Untert. ....	Handle-lower part .....		
X	32	1		1117-3210-01	Führungsholm-Obert. ....	Handle-upper part .....		
X	32	1		1117-3213-01	Führungsholm-Obert. ....	Handle-upper part .....		Die Schweiz
	33	1		1117-1212-01	Motorschutz .....	Motor protection .....		
	34	1		1117-1135-02	Deckel-schwarz .....	Cover-black .....		
	35	1		1117-1368-01	El.Motor .....	El.motor .....		
	36	1		1117-1157-02	Behälterdeckel-schwarz .....	Grassbag cover-black .....		Inkl. 36
	37	1		1117-1218-01	Behälter-Unterteil .....	Lower grass bag .....		
	38	3		9997-0820-16	Schraube .....	Screw .....		
	39	3		9678-0009-02	Schloßscheibe .....	Lock washer .....		
	40	8		9716-0831-02	Mutter .....	Nut .....		
	41	1		1117-1372-02	Motorgehäuse-schwarz .....	Motor mount-black .....		
	42	1		1117-1151-01	Messerhalter .....	Blade mount .....		
X	43	1		1117-3228-01	Messer .....	Blade .....		
	44	1		1117-1386-02	Motorhaube-schwarz .....	Motor cover-black .....		Inkl. 59
	45	1		1117-1111-01	Messerscheibe .....	Disc washer .....		
X	46	1		1111-9715-01	Messerbolzen .....	Blade bolt .....		
	47	2		9997-0614-16	Schraube .....	Screw .....		
	48	2		1117-1175-01	Scheibe .....	Washer .....		
	49	6		9836-9116-12	Schraube .....	Screw .....		
	50	8		9699-0062-02	Scheibe .....	Flat washer .....		
	51	4		1117-1112-01	Bolzen .....	Bolt .....		
	52	2		9699-0036-02	Scheibe .....	Flat washer .....		
	53	2		9836-9512-12	Schraube .....	Screw .....		
	54	2		1117-1192-01	Isolierplatte .....	Isolation .....		
	55	2		1117-1267-01	Bolzen .....	Bolt .....		
	56	4		9694-0003-00	Scheibe .....	Washer .....		
	57	1		1117-1299-01	Ventilator .....	Impeller .....		
	58	8		9549-0053-00	Kugellager .....	Ball bearing .....		
	59	1		1117-1357-01	Fenster .....	Window for cap .....		
	60	4		1117-1364-01	Schraube .....	Screw .....		
	61	1		1117-3028-01	Montagesatz .....	Assy kit .....		
	62	1		1117-1119-01	Propfen .....	Cap .....		



B023A

Ausgabe Issue 2000-1		Bild Nr. Picture No B023A		VARIOLUX 45 EC		VARIOLUX 45 EC		Seite Page 20	
Pos. Fig.	Anzahl/Quantity			Artikel Nr. Part No	Bezeichnung	Description	Satz Kit	Anmerkung Notes	
63	1			1117-1148-01	Deckel.....	Cap.....			
64	1			1111-2927-01	Batteriehalter .....	Battery holder .....			
65	1			1117-1310-01	Halter-rechts.....	Handle support-R.H. ....			
66	1			1117-1309-01	Halter-links .....	Handle support-L.H. ....			
67	1			1117-3001-01	Mulcherpropfen .....	Mulch plug .....			
68	2			9898-0835-12	Schraube .....	Screw .....			
69	1			1117-1359-01	Klemme .....	Clamp.....			
70	1			1117-1245-01	Kabelklemme .....	Cable clamp .....			
71	1			9849-7819-16	Schraube .....	Screw.....			

